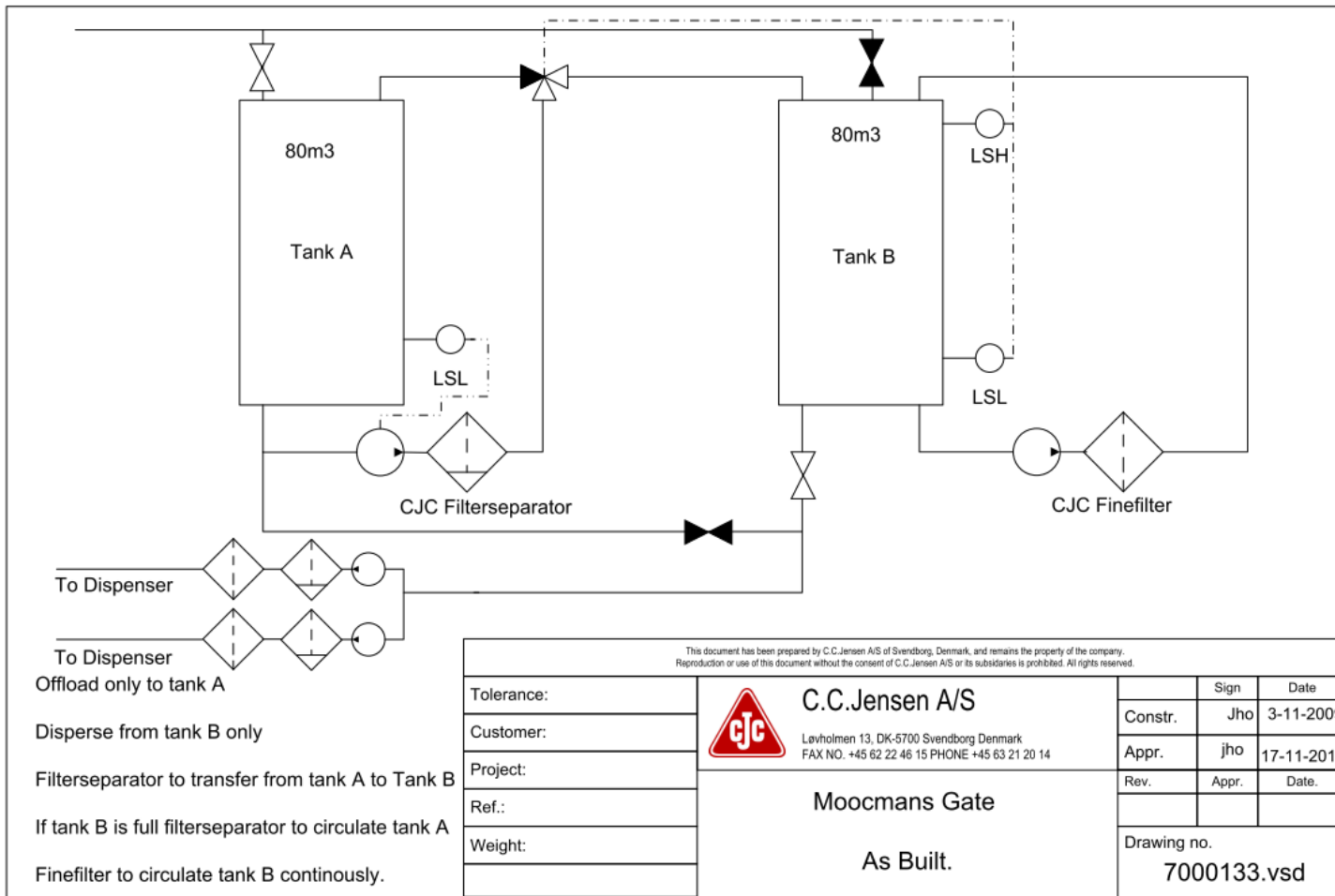


# Diesel Bulk Oil Filtration

Anglo Gold Ashanti  
Sadiola Mine  
Mali

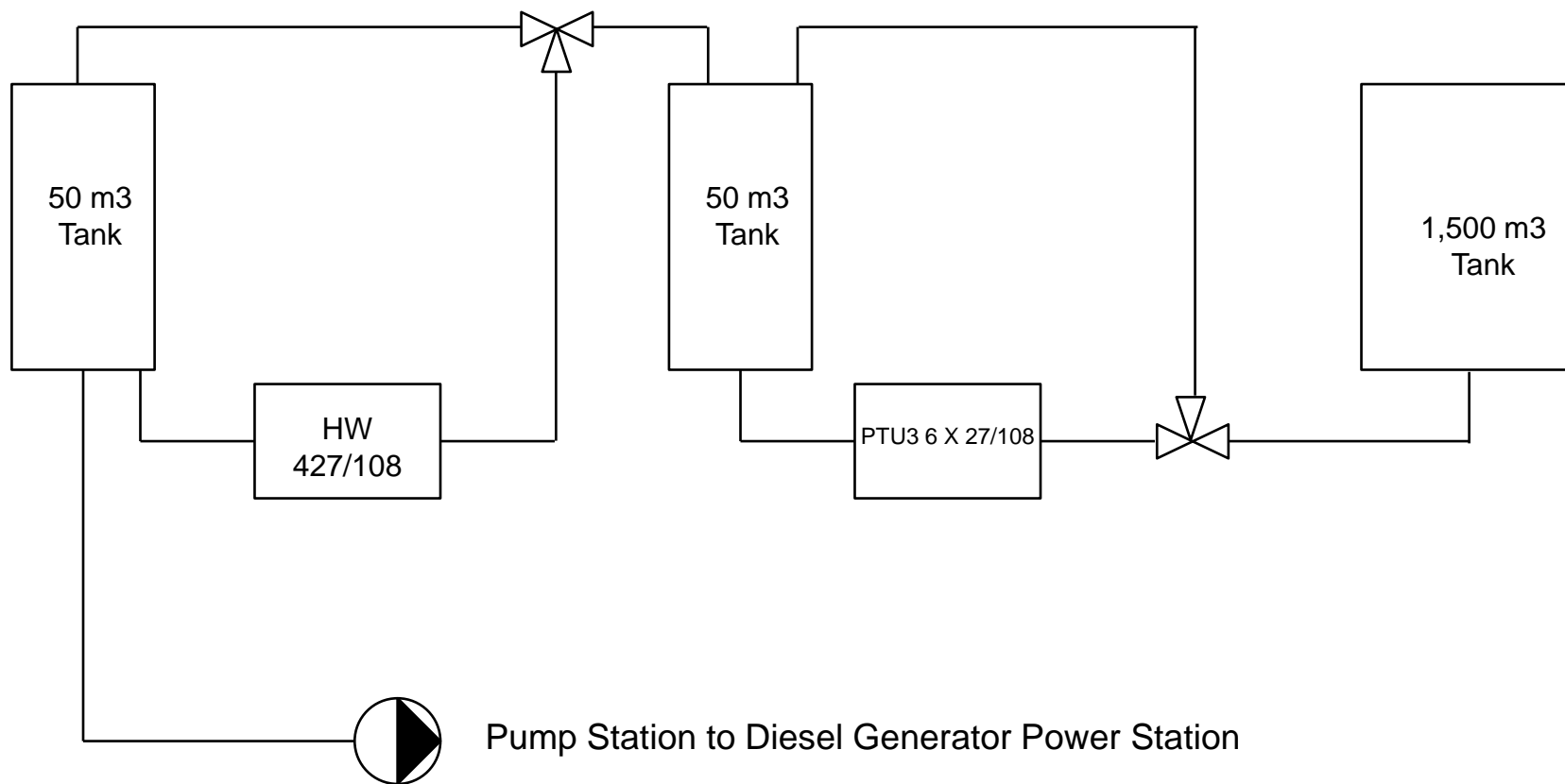


# Set-up Moolmans Gate





## Set-up Gapmos Main Depot





## Diesel Bulk Oil Filtration – Filters Installed

### 1 x PTU3 3x27/108 GP-E2PTW

CJC Filter Separator  
Drain tank mounted  
Pressure Switch: setting TBA  
Leak detection  
Aut. Water Discharge  
Filter Insert: 12 x F 27/27  
Pump : GP33-4 (2600 l/h)  
Motor: 3-phase  
Electric control box  
Aut. Air Vent Valve CJC

### 1 x CJC 6-stay Filter Separator

Drain Tank with leak protection  
Unit mounted with lifting ears  
Filter insert 24 x F 27/27  
Sealing: Nitrile  
Pump: GP 41-4 (5200 l/h)  
Motor: 3 phase, 6 poled 400v 50Hz  
Electrical controlbox  
Pressure Switch : Settings TBA  
Aut. Water Discharger  
CJC Aut.Air Vent  
Inlet/outlet DN40

### 2 x HW 427/108 GP-E2PT

CJC Fine Filter  
Filter Insert: 8 x BLA 2x27/27  
Pump : GP51-4 (11500l/h)  
Motor: 3-phase  
Pressure switch: Setting TBA  
Leak detection  
Electric control box  
Drain tank  
3x400V, 50Hz.





# Oil Analysis Results

Diesel oil sample before  
CJC Filter Installation  
23/21/14

Diesel oil sample after  
CJC Filter Installation  
17/15/11

Caterpillar requirements 18/16/13

Number of Particles  
Before & After CJC Filtration

